

CRT 2, CRT 6, CRT 12, CRT 6/6, CRT 6/12, ETR 2 TRANSFORMERS

PRODUCT DATA

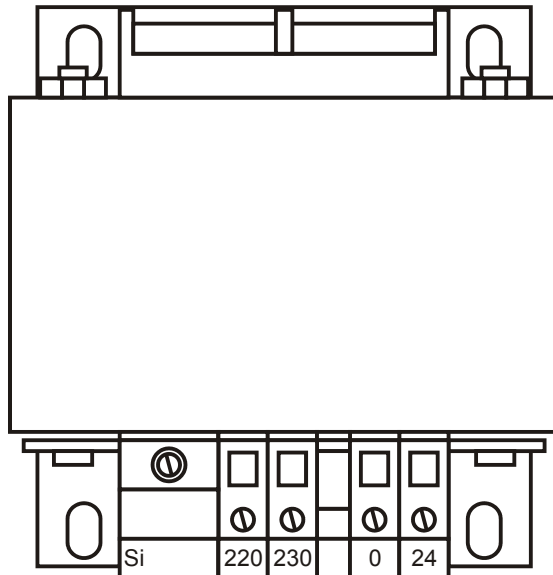


Fig. 1. CRT 6, CRT 12 transformers for cabinet wall mounting

GENERAL

The CRT transformers are suitable for cabinet wall mounting and are designed for use with Excel IRC and Excel 5000 components.

The ETR 2 is suitable for wall and cabinet mounting.

CRT TRANSFORMERS - FEATURES

- Cabinet wall mounting
- Separate inputs for 220 V~ and 230 V~ mains power supply
- Fusing for primary side
- Available also as double transformer with separate secondary windings

ETR 2 - FEATURES

- Wall and DIN rail mounting (e.g. in a radiator niche)
- Potted in an enclosed housing
- Overtemperature protection through use of bimetal switch
- 1.5-meter-long lead with wall outlet plug and 3-meter-long connection cable are permanently attached to the transformer

TECHNICAL DATA

Primary voltage:	230 V / 50 Hz
Secondary voltage:	$24.5 \text{ V} \leq U_{\text{UNLOADED}} \leq 25.5 \text{ V}$
Permissible load:	CRT 2 = max. 2 A
	CRT 6 = max. 6 A
	CRT 12 = max. 12 A
	CRT 6/6 = max. 6.25 A / 6.25 A
	CRT 6/12 = max. 6.25 A / 10.41 A
	ETR 2 = max. 2 A

DIMENSIONS

Dimensions of CRT 2, 6, 6/6, 6/12, and 12

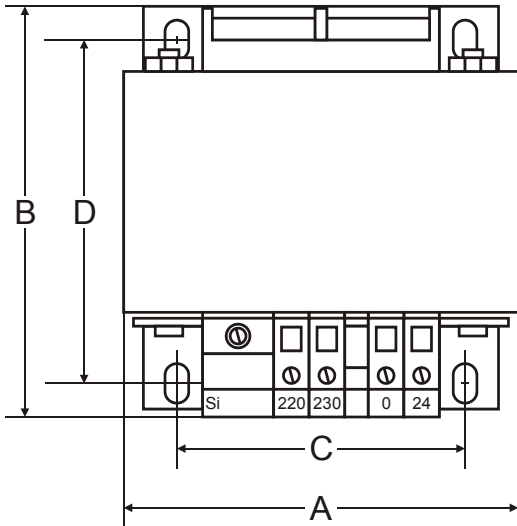


Fig. 2. Dimensions of CRT 2, 6, 6/6, 6/12, and 12 (mm)

Dimensions of ETR 2

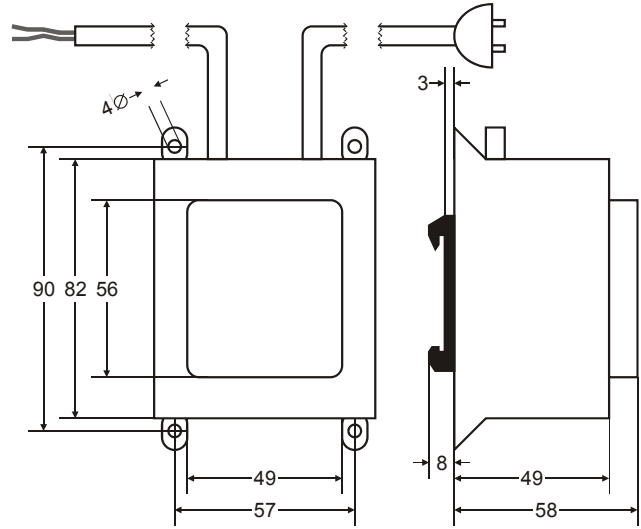


Fig. 4. Dimensions of ETR 2 (mm)

	CRT 2	CRT 6	CRT 12	CRT 6/6	CRT 6/12
A	65	73	100	100	100
B	75	93	104	104	124
C	50	56	73	73	73
D	45	62	87	88	108
Height	100	105	145	162	166
Power output (VA)	48	144	288	150 / 150	150 / 250
fuse (A)	0.315	0.744	1.6	6.25 / 6.25	6.3 / 10

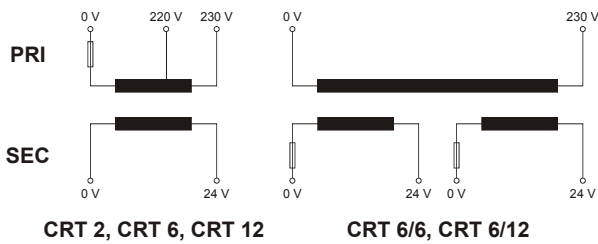


Fig. 3. Wiring diagrams

Honeywell

Manufactured for and on behalf of the Environmental and Combustion Controls Division of Honeywell Technologies Sàrl, Rolle, Z.A. La Pièce 16, Switzerland by its Authorized Representative:

Automation and Control Solutions

Honeywell GmbH
 Böblinger Straße 17
 71101 Schönaich
 Germany

Phone: (49) 7031 63701

Fax: (49) 7031 637493

<http://europe.hbc.honeywell.com>

Subject to change without notice. Printed in Germany

EN0B-0568GE51 R0209