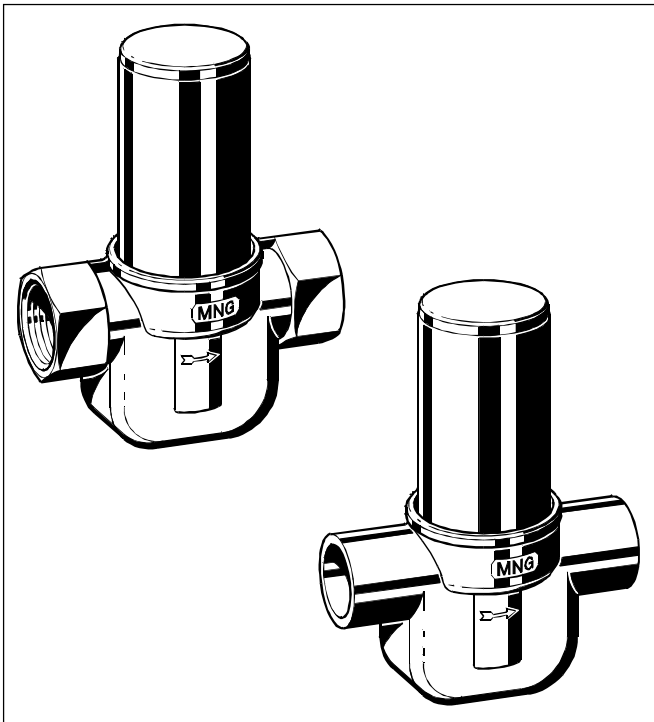


# ALWA Valves

## V4600, V4700 Alwa-UP UNDERWALL SHUTOFF VALVE

### PRODUCT DATA



### Design

The Alwa-UP consists of:

- Straight pattern valve housing with internal threads, soldering connections or fitted press fittings
- Valve insert with spindle extension, KFR type with integrated backflow preventer
- Protection tube
- Handwheel with cover cap (to be ordered separately)

### Materials

- Valve housing made of red bronze Rg5 according to DIN 1705 (G-CuSn5ZnPb)
- Valve insert made of red bronze Rg5 and brass Ms58, KFR type also stainless steel (spring) and plastic
- O-rings, soft seals and seat sealing made of EPDM
- Handwheel made of acrylic glass or chromium-plated plastic
- Cover cap made of sheet steel, chromium-plated

### Application

The Alwa-UP is used as underwall shut-off valve in potable water installations. The downstream installation is isolated by shutting off the valve with the handwheel. A pre-setting allows throttling of the flow when the valve is fully opened.

Alwa-UP-KFR valves also have a backflow preventer integrated into the valve insert.

Alwa-UP is also available without insert for on wall installation of water meters.

The Alwa-UP in standard version is suitable for installation depths of 60 to 100 mm, with special extension kit (see 'Accessories') up to 220 mm.

Alwa-valves are low noise to DVGW and noise protection regulations.

### Features

- All parts with contact to the flow made of corrosion-resistant red bronze
- Permanent easy operation due to isolated spindle
- Maintenance-free spindle sealing with additional back sealing
- Pre-settable and cavity-free valve insert
- No shortening necessary for 60 to 100 mm installation depth
- Installation depth up to 220 mm
- Various handwheels available (to be ordered separately)
- EPDM seat sealing
- Also available with additional backflow preventer or without valve insert for installation of water meters
- Available with internal threads or soldering connections or with fitted Mapress or Sanpress press fittings

### Specifications

Medium	Water	
Operating temperature	max. 130°C (266°F)	
Operating pressure	max. 16 bar (232 p.s.i.)	
Opening pressure	≤10 mbar (only Alwa-UP-KFR)	
kvs-values	DN15	3,35
	DN20	4,60
	DN25	8,00
	DN32	14,80

**Dimensions** (all dimensions in mm unless otherwise stated)

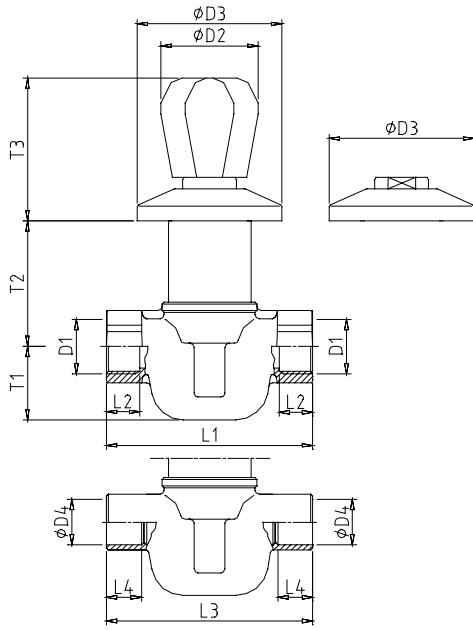


Fig. 1. Alwa-UP

Table 1. Dimensions Alwa-UP

DN	15	20	25	32
D1	Rp 1/2"	Rp 3/4"	Rp 1"	Rp 1 1/4"
D2	47	47	47	47
D3	72	72	72	90
D4	15/18	22	28	35
T1	35,5	35,5	45,5	54,5
T2	45-100 (220)			
T3	65-80			
L1	100	100	120	150
L2	15,0	16,3	19,1	21,4
L3	100	100	120	150
L4	12/14	17	20	23,5
L5	162	170	196	236
L6	178	186	212	254

NOTE: L5 = Overall length with fitted Sanpress fittings.  
L6 = Overall length with fitted Mapress fittings.

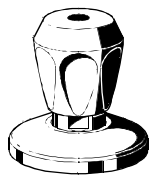
**Ordering information**

Table 2. Ordering information and OS-Nos. (OS = ordering system)

Ordering text	OS-No.	DN	15	20	25	32	
		mm	15	18	22	28	35
		R	1/2"	3/4"	3/4"	1"	1 1/4"
Alwa-UP with internal threads	V4600Y0...	015	020		025	032	
- with fitted stainless steel Mapress-fittings	V4606Y0...	015	018	020	025	032	
- with fitted red bronze Sanpress-fittings	V4607Y0...	015	018	020	025	032	
Alwa-UP with soldering connections	V4600S0...	015	018	020	025	032	
Alwa-UP-KFR with internal threads	V4700Y0...	015	020				
- with fitted stainless steel Mapress-fittings	V4706Y0...	015	018	020			
- with fitted red bronze Sanpress-fittings	V4707Y0...	015	018	020			
Alwa-UP-KFR with soldering connections	V4700S0...	015	018	020			
Alwa-UP with internal threads, without insert, for installation of water meter	V4605Y0...	015	020		025	032	
Alwa-UP with soldering connections, without insert, for installation of water meter	V4605S0...	015	018	020	025	032	

## Accessories

Chromium-plated plastic handwheel with blue and red dot, including cover cap



for DN15 to DN25	VA2410C015
for DN32	VA2410C032

Acrylic handwheel with cover cap



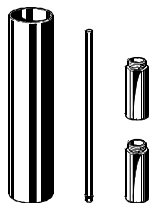
for DN15 to DN25, with blue dot	VA2410A015
for DN32, with blue dot	VA2410A032
for DN15 to DN25, with red dot	VA2410B015
for DN32, with red dot	VA2410B032

Anti-tamper cap with cover cap



for DN15 to DN25	VA2410D015
for DN32	VA2410D032

Extension set, for installation depth larger 100 mm, consisting of insert and spindle extensions and protection tube for installation depth max. 220 mm



for DN15 and DN20	VA2411A015
for DN25	VA2411A025
for DN32	VA2411A032

Socket spanner for installation of insert



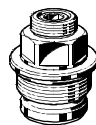
for all sizes	VA8400A001
---------------	------------

Socket spanner for operating Alwa-UP with anti-tamper cap



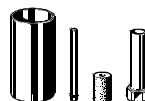
for all sizes	VA8400B001
---------------	------------

Valve inserts



for Alwa-UP DN15 and DN20	VS1403A015
for Alwa-UP DN25	VS1403A025
for Alwa-UP DN32	VS1403A032
for Alwa-UP-KFR DN15 and DN20	VS1404B015

Insert extension



for DN15 and DN20	VS1405A015
for DN25	VS1405A025
for DN32	VS1405A032

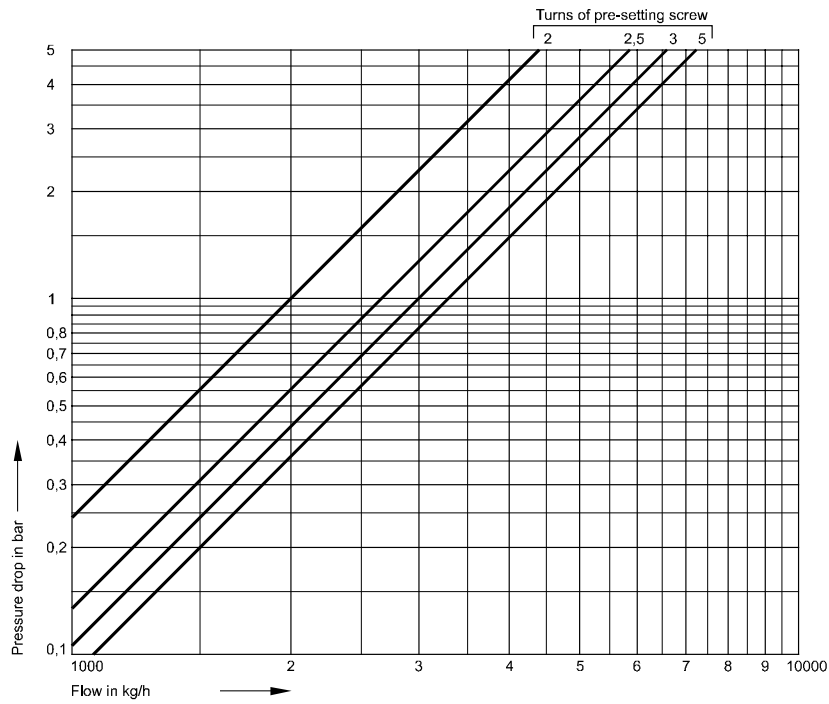
Clamping unit



for all sizes	VA2410E015
---------------	------------

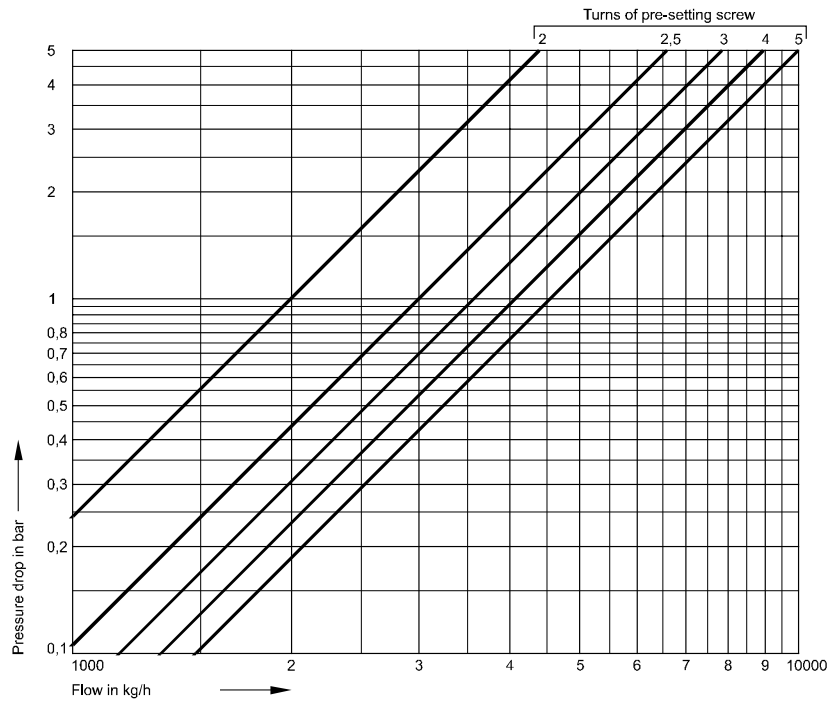
**Insulation shells** are available from GWK Kuhlmann GmbH, Franz-Kleine-Strasse 16, 33454 Salzkotten, Germany, Phone (49) 5258 98360, Fax (49) 5258 983649.

### Flow diagram DN 15



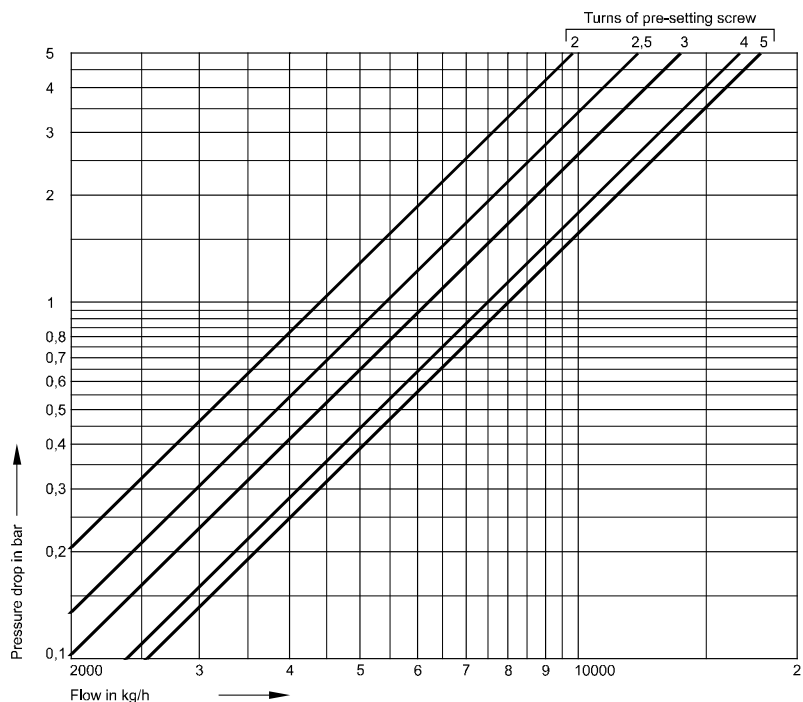
<b>Pre-setting</b>	2	3	4	5
<b>kv-value</b>	2	3	3,25	3,35

### Flow diagram DN 20



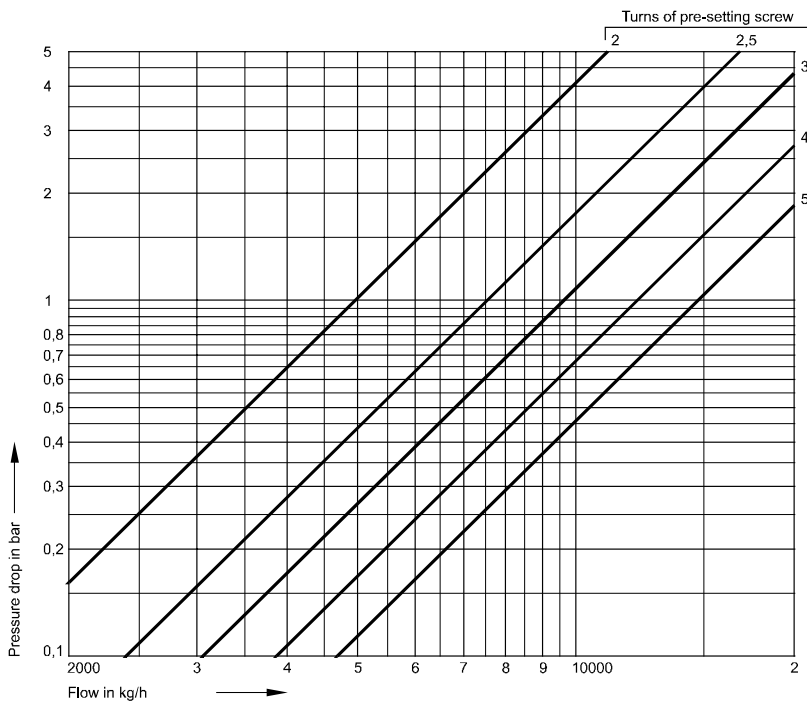
<b>Pre-setting</b>	2	3	4	5
<b>kv-value</b>	2,0	3,6	4,1	4,6

### Flow diagram DN 25



<b>Pre-setting</b>	2	3	4	5
<b>kv-value</b>	4,4	6,2	7,5	8,0

### Flow diagram DN 32



<b>Pre-setting</b>	2	3	4	5
<b>kv-value</b>	5,0	9,7	12,2	14,8

**Honeywell**

---

**Automation and Control Products**

Honeywell GmbH  
Zu den Ruhrwiesen 3  
D-59755 Arnsberg-Neheim

Phone: (49) 2932 9880  
Fax: (49) 2932 988224  
mng@honeywell.com

<http://www.alwa-valves.com>  
<http://europe.hbc.honeywell.com>